

Technical specifications sheet of hanging points in event hall 'De Put'

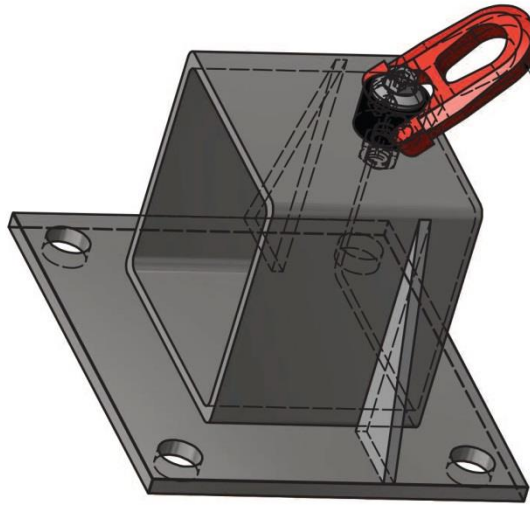
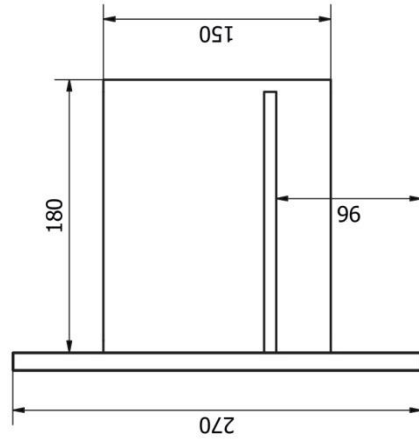
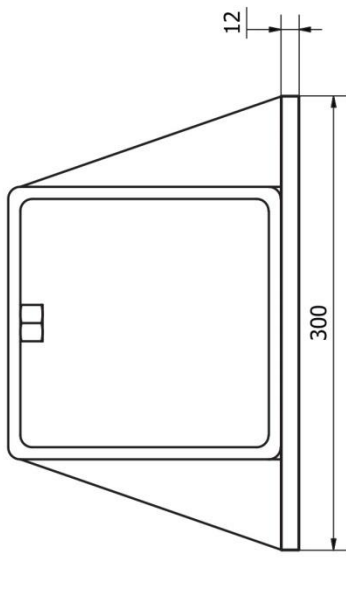
In event hall De Put in Destelheide, hanging points have been installed by Joppe Wouters from Circus Marcel. In the concrete ceiling joists, **8 anchor points** have been mounted **2 by 2**. These anchor points are meant for performing acrobatic stunts. Both the anchor points and the whole installation have been inspected and approved of by Vinçotte.

- Maximum number of persons / anchor point: 3
- Weight for 3 persons: 263 kg
- Dynamic factor 5 (swinging)
- Horizontal load: 50% of the vertical load
- Working Load Limit for which the anchor points have been designed: 1300 kg
- Construction:
 - Basic slab thickness 12 mm
 - Welded-on box 180x150x8mm
 - Anchors: 4 x wire rod M12 quality 8.8; secured with double nut
 - Attachment point: Codipro DSR M15 with working load limit = 1600 kg; secured with Loctite
 - Steel grade: S235
 - Max. allowable compression strength: 157 N/mm²




(Circus) performers and their technicians are themselves responsible for the correct attachment to the hanging points. For this, they may use the aerial work platform of Destelheide after having signed an agreement in which they confirm that they will assume responsibility in case of an accident with/damage to the aerial work platform. Destelheide is not responsible for accidents on account of the incorrect use of the hanging points, taking into account the above-mentioned information.

SYSTEME CIRCUS MARCEL



CODIPRO
 DSR M16
 CMU: 1,6 Tonnes
 Coef. de sécurité: 5
 Anneau vissé collé avec LOCTITE rouge 272

Conçu par jbalthazard	Véifié par Z.L. Szabbaach L-9559 WILTZ	Approuvé par Tél: +352 26 81 54 1 www.codipro.net	Date 27/11/2013	Modification 1 / 1
			système CIRCUSMARCEL	

"This drawing and its contents are the property of CODIPRO SA.
 Reproduction in any forms or any means without permission of CODIPRO is forbidden"

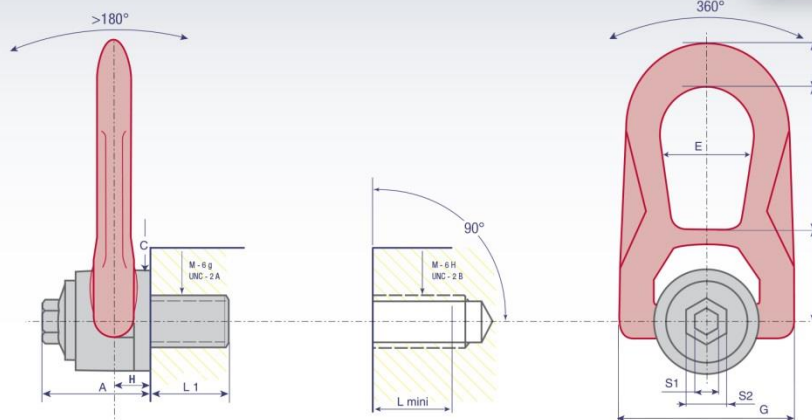
DSR

DOUBLE SWIVEL RING
ANNEAU À DOUBLE ARTICULATION
DOPPELWIRBELRING
CÁNCAMO DOBLE GIRATORIO ARTICULADO




HIGH TENSILE ■ HAUTE RESISTANCE ■ HOCHFEST ■ ALTA RESISTENCIA

Class > 8



www.codipro.net

1,000 LBS = 0,4536 TO

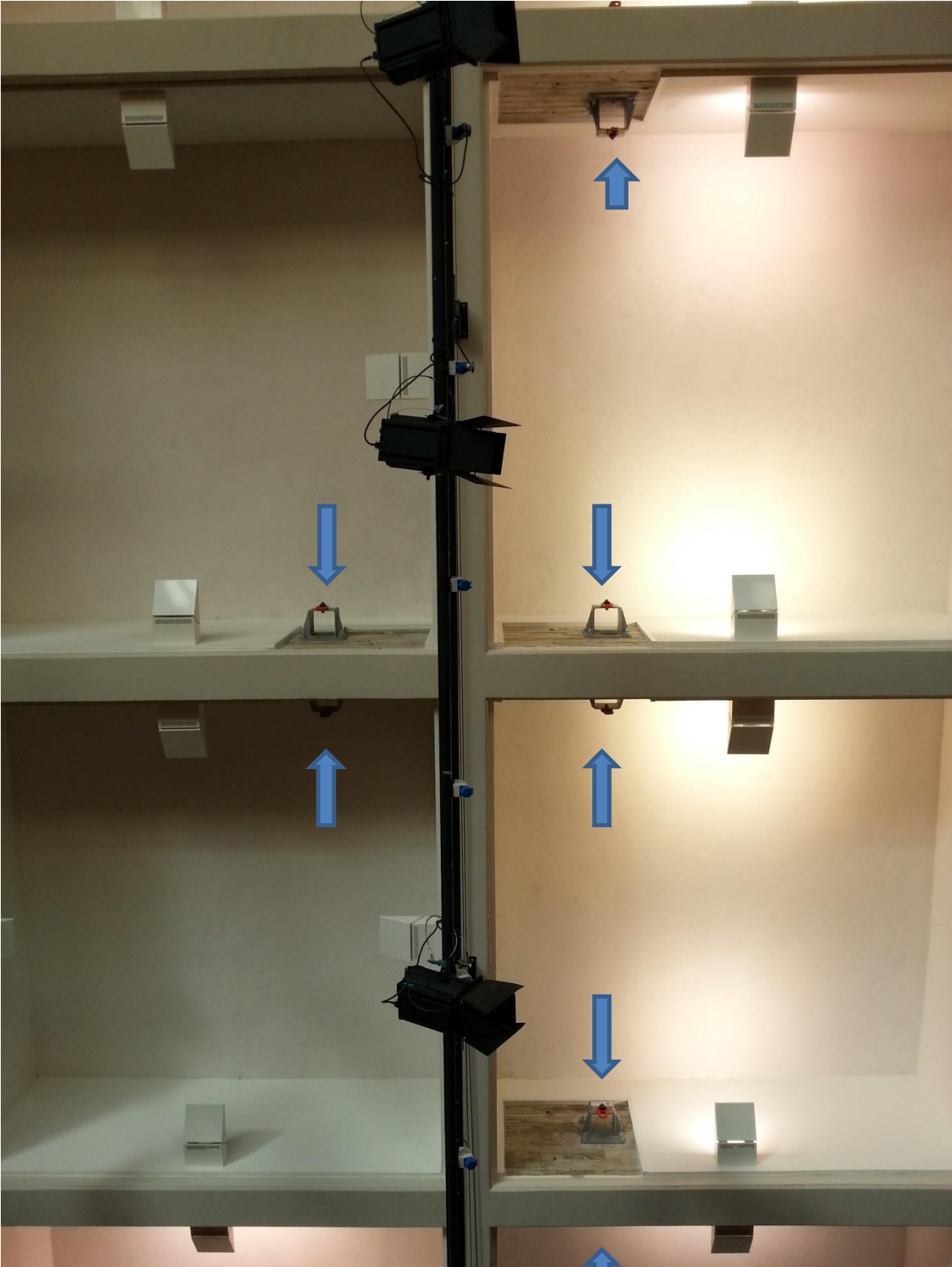
Reference Référence Referenz Referencia	WLL CMU Höchstbelastung CMU	Safety factor Coef. sécurité Sicherheitsfaktor Coef. seguridad	Diameter Diamètre Durchmesser Diámetro	Ø	P	standard L1		S1	S2	A	B	C	D	E	F	G	H	Weight Poids Gewicht Peso
DSR M 4	0,05 TO	5	M 4 (x0.7)			15	2	3		33	30	30	38	27	14	53	9,5	0,3 Kg
DSR M 5	0,075 TO	5	M 5 (x0.8)			15	3	4		33	30	30	38	27	14	53	9,5	0,3 Kg
DSR M 6	0,1 TO	5	M 6 (x1)			15	4	5		33	30	30	38	27	14	53	9,5	0,3 Kg
DSR M 8	0,3 TO	5	M 8 (x1.25)			14	6	8	16	33	30	30	38	27	14	53	9,5	0,3 Kg
DSR M 10	0,6 TO	5	M 10 (x1.50)			17	10	8	16	33	30	30	38	27	14	53	9,5	0,3 Kg
DSR M 12	1 TO	5	M 12 (x1.75)			21	15	8	16	33	30	30	38	27	14	53	9,5	0,3 Kg
DSR M 14	1,3 TO	5	M 14 (x2)			23	30	8	20	45	42	45	54	38	17	76	13	0,9 Kg
DSR M 16	1,6 TO	5	M 16 (x2)			27	50	8	20	45	42	45	54	38	17	76	13	0,9 Kg
DSR M 18	2 TO	5	M 18 (x2.5)			27	70	8	20	45	42	45	54	38	17	76	13	0,9 Kg
DSR M 20	2,5 TO	5	M 20 (x2.5)			30	100	8	20	45	42	45	54	38	17	76	13	0,9 Kg
DSR M 22	3 TO	5	M 22 (x2.5)			33	120	14	24	62	55	60	83	55	25	117	19	2,6 Kg
DSR M 24	4 TO	5	M 24 (x3)			36	160	14	24	62	55	60	83	55	25	117	19	2,6 Kg
DSR M 27	5 TO	5	M 27 (x3)			40	200	14	24	62	55	60	83	55	25	117	19	2,7 Kg
DSR M 30	6,3 TO	5	M 30 (x3.5)			45	250	14	24	62	55	60	83	55	25	117	19	2,7 Kg
DSR U 516	650 LBS	5	UNC 5/16"-18			15	7 _{FL}	5/16"	5/8"	33	30	30	38	27	14	53	9,5	0,3 Kg
DSR U 038	1,200 LBS	5	UNC 3/8"-16			17	8 _{FL}	5/16"	5/8"	33	30	30	38	27	14	53	9,5	0,3 Kg
DSR U 050	2,200 LBS	5	UNC 1/2"-13			21	12 _{FL}	5/16"	5/8"	33	30	30	38	27	14	53	9,5	0,3 Kg
DSR U 058	3,800 LBS	5	UNC 5/8"-11			27	40 _{FL}	5/16"	20	45	42	45	54	38	17	76	13	0,9 Kg
DSR U 075	5,500 LBS	5	UNC 3/4"-10			30	80 _{FL}	5/16"	20	45	42	45	54	38	17	76	13	0,9 Kg
DSR U 078	6,600 LBS	5	UNC 7/8"-9			33	100 _{FL}	9/16"	24	62	55	60	83	55	25	117	19	2,5 Kg
DSR U 100	10,000 LBS	5	UNC 1"-8			36	125 _{FL}	9/16"	24	62	55	60	83	55	25	117	19	2,6 Kg

Other variants of the fixing axis available upon request / Autres variantes de l'axe de fixation sur demande / Weitere Varianten der Verbindungsbolzen auf Anfrage / Otras variantes del eje de fijación bajo solicitud

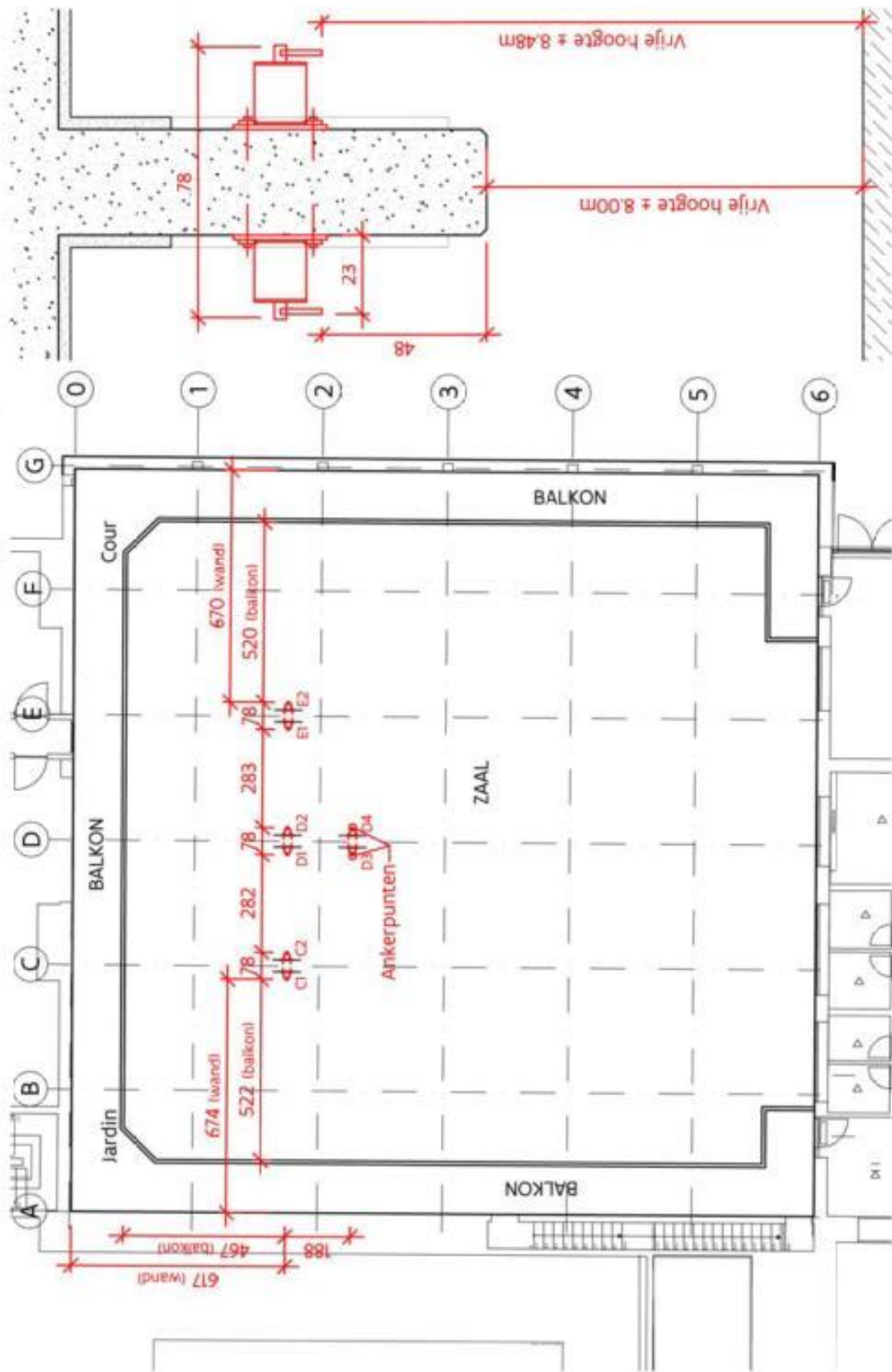


www.codipro.net ■ info@codipro.net

Luxembourg : Zone d'Activités Salzbaach ■ L - 9559 WILTZ ■ BP 100 L - 9502 WILTZ ■ Tél. +352 26 81 54-1 ■ Fax +352 81 05 17
 France : 9, Boulevard des Ravallières Z.A. ■ F - 72560 CHANGE ■ Tél. +33(0)2 43 40 17 00 ■ Fax +33(0)2 43 40 07 99



Zaal "De Put" - Inplanting ankerpunten



(for more plans of the ceiling and Zaal De Put, see the document 'technische fiche – plan')

There are no attachment points on the side walls or in the floor. Instead, Destelheide has bought **4 water tanks**, each containing 500 litre water. These water tanks can be used as counterweight. The installation of these water tanks must be done in consultation with the technicians. A rubber mat is placed below the water tank to protect the floor. All fastening wires must be provided for by the groups themselves. The use of these water tanks must be applied for in advance.

